

V7 Draw Latch

Over-center · Stainless steel

Features

- Sleek, smooth low profile design
- Locking and non-locking
- Robust, riveted, tamper-resistant construction

Material

- 316 grade stainless steel electropolished

Keys

- Overmolded key S008 (pair): M1-525-39-S008

Product Performance

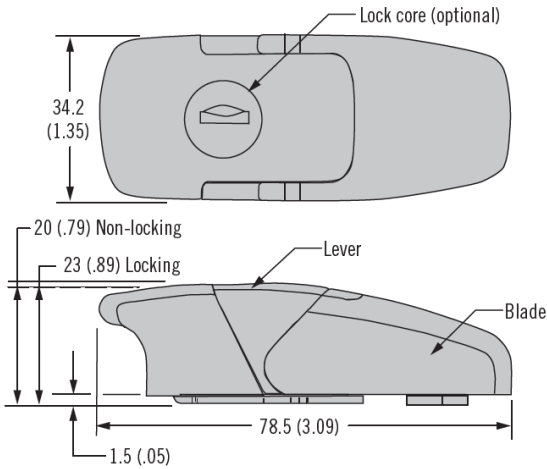
- Maximum working load: 1,200 N

Installation Notes

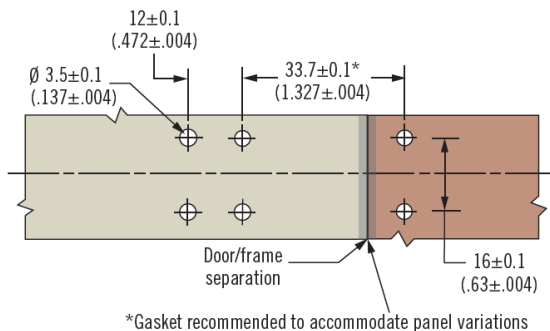
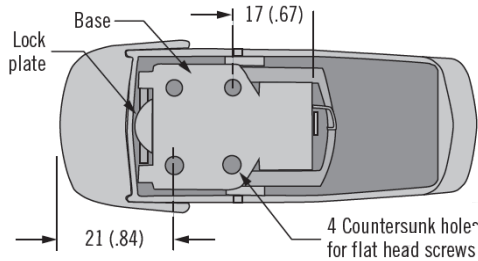
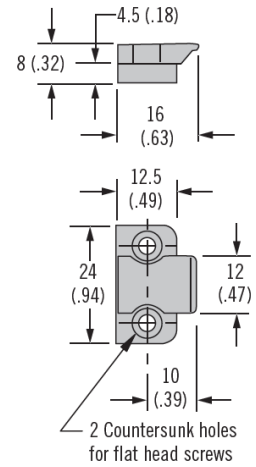
- Install assembly with six M3 flat head screws (not supplied)



Latch



Keeper



Description	Part Number
Non-locking	V7-20-101-24
Locking keyed alike key code S008 (2 keys supplied)	V7-20-111-24

V7 Draw Latch

Over-center - Zinc alloy

Features

- Sleek, smooth low profile design
- Locking and non-locking
- Robust, riveted, tamper-resistant construction

Material

- Zinc alloy, chrome plated or powder coated and stainless steel

Product Performance

- Maximum working load: 1,200 N

Installation Notes

- Install assembly with six M3 flat head screws (not supplied)

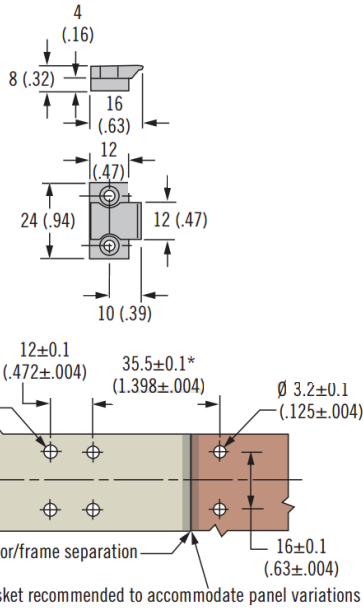
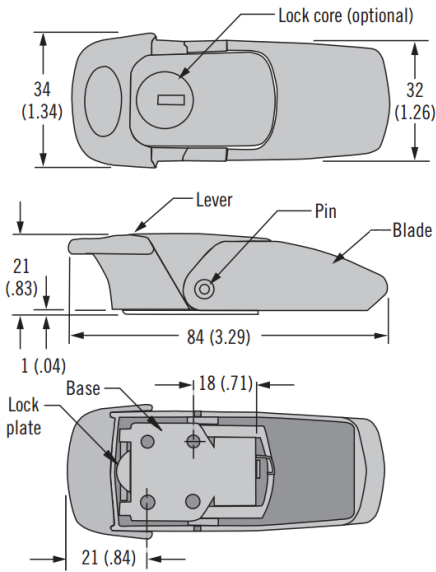
Keys

- Overmolded key S010 (pair): V7-KEYS

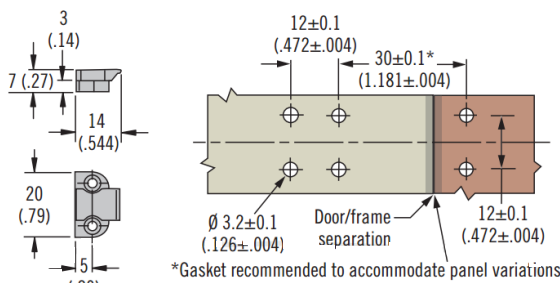
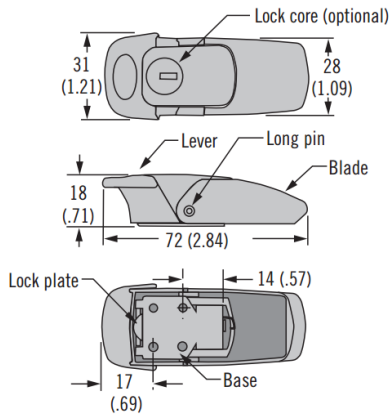


Latch

Large



Small



Description	Part Number		
	Bright Chrome	Chrome	Black Powder Coated
Small, non-locking	V7-10-105-10	V7-10-105-20	V7-10-105-50
Small, locking (2 keys supplied)	V7-10-115-10	V7-10-115-20	V7-10-115-50
Large, non-locking	V7-20-101-10	V7-20-101-20	V7-20-101-50
Large, locking (2 keys supplied)	V7-20-111-10	V7-20-111-20	V7-20-111-50